

# Vandal Resistant Varifocal Dome Cameras

## JCC-VA946-XVD

1/3" Vandal-proof Color Varifocal Dome

## JCC-VA946H-XVD

1/3" High-Res. Vandal-proof Color Varifocal Dome



Model A



Model B

### Features

- 1/3" Sony Super HAD Color CCD
- JCC-VA946-XVD:
  - 420 TV Lines / 0.06 Lux@F1.6
- JCC-VA946H-XVD:
  - 530 TV Lines / 0.12 Lux@F1.6
- Automatic Gain Control (AGC)
- Auto Electronic Shutter (AES)
- Auto White Balance (AWB)
- 0.45 Gamma Characteristic
- 3.5~8.5mm/F1.6 Auto Iris Lens Built-in
- IP66 Weatherproof & Vandal-proof Design
- Wall-mount Bracket (Optional)
- DC 12V

## Specification

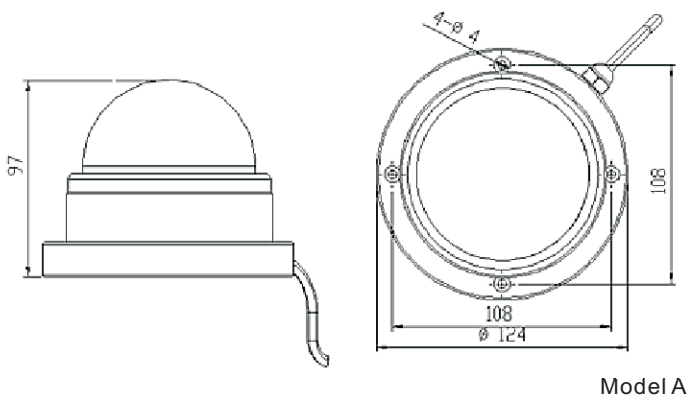
Model	JCC-VA946-XVD	JCC-VA946H-XVD
Pick Up Element	1/3" Sony Super HAD Color CCD Sensor	
D.S.P.	Next-Chip D.S.P.	
Picture Element	NTSC: 537(H) x 505(V) PAL: 537(H) x 597(V)	NTSC: 811(H) x 508 (V) PAL: 795 (H) x 596(V)
Horizontal Frequency	NTSC: 15.734 KHz. ; PAL: 15.625 KHz.	
Vertical Frequency	NTSC: 59.94 Hz. ; PAL: 50 Hz.	
Synchronization	Internal / Negative Sync.	
Scanning System	2 : 1 Interlace	
Resolution	Horizontal 420 TV Lines	Horizontal 530 TV Lines
Sensitivity	0.06 Lux @F1.6	0.12 Lux @F1.6
S/N Ratio	More than 48 dB (AGC Off)	
Lens Built-in	3.5~8.5mm/F1.6 Auto Iris Lens	
Control	OSD	
Language	English, T.Chinese, S.Chinese, Japanese, Korean	
Basic function	Lens Selection (DC / VD / Manual) Shutter Selection (Auto / Fixed / Manual / FLK) ATW / AWB / Manual Selection, BLC(Area/ Ratio Adjustable) Selection AGC(0~40dB Adjustable) Selection, ADJUST -Contrast, Sharpness, CB_Gain, CR_Gain	
Extend function	Camera ID ON / OFF Motion Detection ON / OFF (64 Area, Position / Size / Sensitivity) Privacy Zone ON / OFF (4 Zone, Position / Size / Tone) Day & Night (Electronic Conversion) Mirror ON / OFF, Reset to Default	
Electronic shutter	1/60,1/100, 1/250, 1/500, 1/2000, 1/5000, 1/10000, 1/100000(Fixed) Auto/ Manual 0 ~ 255 sections/AES, FLK mode	
White Balance	Auto White Balance (2500° K ~ 9500° K)	
Gain Control	Automatic Gain Control	

# Vandal Resistant Varifocal Dome Cameras

## Specification

<b>Gamma Correction</b>	0.45	
<b>Lens Built-in</b>	3.5~8.5mm/F1.6 Auto Iris Lens	
<b>Video Output</b>	1.0 Vp-p Composite Video Output; 75 Ohms	
<b>Operating Temperature</b>	- 10° ~ +50°C / RH 85% or less	
<b>Power Supply</b>	DC 12V / 150 mA	DC 12V / 200 mA
<b>Construction</b>	Aluminum with IP 66 Weatherproof & Vandal Resistant Design	
<b>Dimension</b>	Model A: 124mm (Dia.) x 97mm (H) ; Model B: 129mm (Dia.) x 100mm (H)	

## Dimension

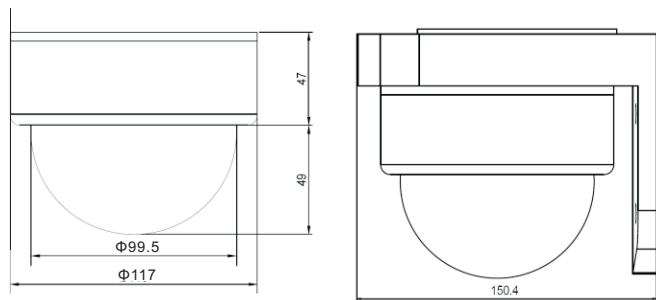


Model A

## Optional



Wall-mount Bracket  
(for Model A)  
■ WMB-X11



Model B



Wall-mount Bracket  
(for Model B)  
■ WMB-X01